

All rights reserved by **CNH Industrial**.

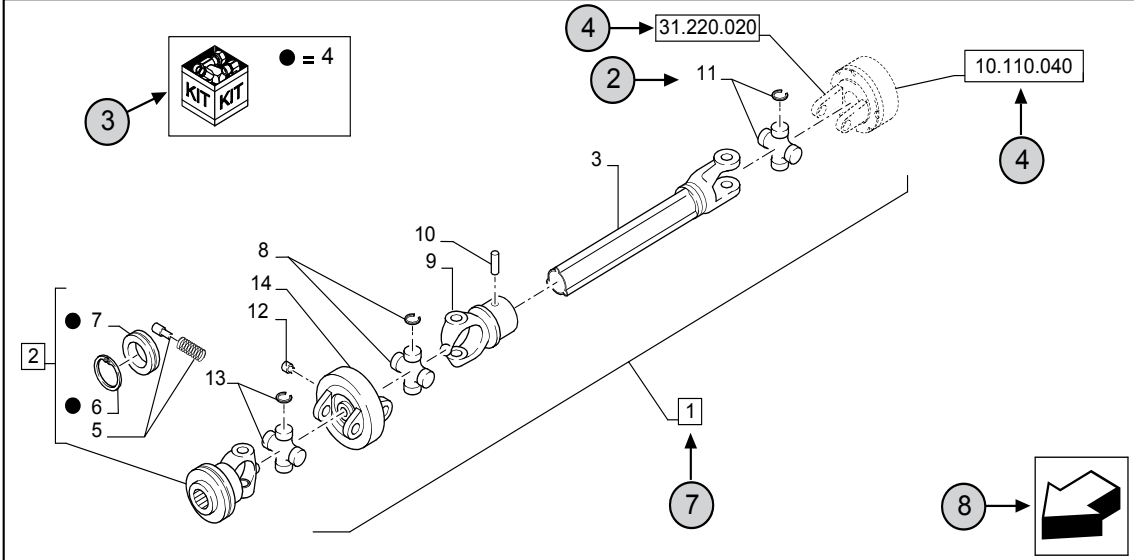
The information contained in this catalogue is intended to be of a general nature only. **CNH Industrial** may at any time and from time to time, for technical or other necessary reasons, modify any of the details or specifications of the product described in this catalogue.

To be sure of getting accurate, detailed and up-to-date information, an intending buyer should consult his nearest **CNH Industrial** dealer or distributor.

Single item numeration method used in this catalogue may not be used without written consent from **CNH Industrial**

31.220.010	01	p1	10/2014
------------	----	----	---------

VAR - 123782, 789101,987654 - PTO - D650



STANDARD ← (6)

(23)	(9)	(10)	31.220.010	01	p1	10/2014
------	-----	------	------------	----	----	---------

VAR - 123782, 789101,987654 - PTO - D650

(11) (12) (13) (14)

REF	FN	PART NUMBER	YR/SN	QTY	DESCRIPTION
1	1	86529340	(20)	1	SHAFT PTO, Incl 2 - 11
2	(15)	84014007		1	YOKE, Incl 4 - 7 ← (7)
3	(16)	NSS		1	NOT SERVICED SEPARATELY, SHAFT, 350mm, Incl in 1
4		84004292		1	KIT, Seal Kit, Incl 6, 7 ← (17)
4		{84058743}		1	KIT, Seal Kit, Incl 6, 7
(2)	(18)			(21)	
	(19)			(22)	
		1 = FOR ITALY ONLY ← (5)			

MODELS ← (1)


- 1 Model Number and Model Description
- 2 Reference - Figure call-out of the part number.
- 3 Parts supplied in repair kits per symbol reference.
- 4 31.220.020 Part illustrated on the **Page** or in the **Figure** indicated, or calls for **Variations** or **Details**. Indicates components shown in detail elsewhere in the catalogue under the figure number shown.
- 5 Footnote references
- 6 Figure notes
- 7 1 2 Includes item(s) (See Description within partlist).
- 8 Orientation. (Arrow indicates front of the machine). 
- 9 Figure description.
- 10 General information of the figure.
- 11 Figure title number that aligns with the SRT. Standard Repair Time.
- 12 **Sequence** code within the assembly.
- 13 Page number within the sequence code.
- 14 **Date** of printing or updating of page (month-year).
- 15 **Note** - Relating to the Part Number. There is a key to symbols and abbreviations at the bottom of the text page.
- 16 Non-serviced parts.
- 17 Further description of the part to help confirm identification.
- 18 Not available as service part.
- 19 Part Number.
- 20 To be defined.
- 21 Total **Quantity** of the Part referred to in the page.
The quantity can be replaced by the following indications:
AR = quantity as requested.
- 22 Part **Description**.
- 23 Variant Codes

TABLE OF CONTENTS

00.000.00		PICTORIAL INDEX - MAIN SECTIONS
00.000.05		PICTORIAL INDEX - MACHINE COMPLATION AND EQUIPMENT
00.000.10	03	PICTORIAL INDEX - ENGINE
00.000.18		PICTORIAL INDEX - CLUTCH
00.000.21	01	PICTORIAL INDEX - TRANSMISSION
00.000.21	02	PICTORIAL INDEX - TRANSMISSION
00.000.23		PICTORIAL INDEX - 4WD LINES
00.000.25		PICTORIAL INDEX - FRONT MECHANICAL DRIVE
00.000.27		PICTORIAL INDEX - REAR DRIVE AXLE
00.000.31		PICTORIAL INDEX - IMPLEMENT POWER TAKE-OFF
00.000.33		PICTORIAL INDEX - BRAKES & CONTROLS
00.000.35		PICTORIAL INDEX - HYDRAULIC SYSTEMS
00.000.37		PICTORIAL INDEX - HITCHES, DRAWBARS AND IMPLEMENT COUPLINGS
00.000.39		PICTORIAL INDEX - FRAMES AND BALLASTING
00.000.41		PICTORIAL INDEX - STEERING
00.000.44	01	PICTORIAL INDEX - FRONT WHEELS
00.000.44	02	PICTORIAL INDEX - FRONT WHEELS
00.000.44	03	PICTORIAL INDEX - REAR WHEELS
00.000.50		PICTORIAL INDEX - CAB CLIMATE CONTROL
00.000.55	01	PICTORIAL INDEX - ELECTRICAL SYSTEMS
00.000.55	02	PICTORIAL INDEX - ELECTRICAL SYSTEMS
00.000.55	03	PICTORIAL INDEX - ELECTRICAL SYSTEMS
00.000.55	04	PICTORIAL INDEX - ELECTRICAL SYSTEMS
00.000.55	05	PICTORIAL INDEX - ELECTRICAL SYSTEMS
00.000.82		PICTORIAL INDEX - ACCESSORIES
00.000.88		PICTORIAL INDEX - ACCESSORIES
00.000.90	01	PICTORIAL INDEX - PLATFORM, CAB, BODYWORK AND DECALS
00.000.90	02	PICTORIAL INDEX - PLATFORM, CAB, BODYWORK AND DECALS
00.000.90	03	PICTORIAL INDEX - PLATFORM, CAB, BODYWORK AND DECALS
00.000.90	04	PICTORIAL INDEX - PLATFORM, CAB, BODYWORK AND DECALS
00.100.04	01	OPTIONAL EQUIPMENT
00.100.04	02	OPTIONAL EQUIPMENT
00.100.04	03	OPTIONAL EQUIPMENT
00.100.04	04	OPTIONAL EQUIPMENT

TABLE OF CONTENTS

00.100.04	05	OPTIONAL EQUIPMENT
00.100.04	06	OPTIONAL EQUIPMENT
00.500.01		DIA KITS
05.000.00		SECTION INDEX - MACHINE COMPLETION AND EQUIPMENT
05.100.01		INITIAL STOCKING LIST (LIST A)
05.100.02		INITIAL STOCKING LIST (LIST B)
05.100.03	03	CAPACITIES
05.100.04	01	MAINTENANCE PARTS - FILTERS
05.100.04	02	MAINTENANCE PARTS - STARTER MOTOR, ALTERNATOR, BELTS
05.100.04	03	MAINTENANCE PARTS - FUSES
05.100.04	04	MAINTENANCE PARTS - BULBS
05.100.04	04	MAINTENANCE PARTS - BULBS
05.100.04	05	MAINTENANCE PARTS - PUMPS
05.102.AA	01	FIRE EXTINGUISHER, W/ CAB
05.102.AA	02	FIRE EXTINGUISHER, W/O CAB
10.000.00	03	SECTION INDEX - ENGINE
10.001.AD		STD + VAR - 390174 - ENGINE, ASSY
10.103.AH	01	ENGINE FLYWHEEL (12X12), W/O CAB
10.103.AH	02	ENGINE FLYWHEEL (12X12), W/ CAB
10.103.AH	04	VAR - 744761 - ENGINE FLYWHEEL (20X12), W/O CAB
10.103.AH	05	VAR - 744761 - ENGINE FLYWHEEL (20X12), W/ CAB
10.103.AH	06	VAR - 744762, 744763 - ENGINE FLYWHEEL (12X12, 20X20), POWERSHUTTLE
10.202.AB	01	VAR - 390200 -AIR CLEANER
10.202.AB	02	VAR - 330200 - AIR CLEANER
10.202.AD		VAR - 33020, 390200 - AIR INTAKE LINE
10.202.AH	01	VAR - 390200 - AIR CLEANER, SUPPORT
10.202.AH	02	VAR - 330200 - AIR CLEANER, SUPPORT
10.206.AG	01	VAR - 743543, 744574 - FUEL FILTER
10.206.AG	02	VAR - 744574 - FUEL FILTER
10.216.AI	01	VAR - 743543, 744574 - FUEL TANK W/O PROTECTION
10.216.AI	02	VAR - 743543, 744574 - FUEL TANK, SUPPORT
10.216.AI	03	VAR - 744574 - FUEL TANK, PROTECTION PLATE
10.216.AI	04	VAR - 744574 - FUEL TANK W/ PROTECTION
10.216.AI	05	VAR - 744574 - FUEL TANK, SUPPORT

TABLE OF CONTENTS

10.216.AI	06	VAR - 744574 - FUEL TANK, PROTECTION PLATE
10.216.BA	01	VAR - 743543, 744574 - FUEL LINE
10.216.BA	02	VAR - 744574 - FUEL LINE
10.254.AD	01	VAR - 743545 - EXHAUST SYSTEM PIPE, W/ CAB
10.254.AD	02	VAR - 391151 - EXHAUST SYSTEM PIPE, W/O CAB
10.254.AD	03	VAR - 390199 - EXHAUST SYSTEM PIPE - NA
10.254.AI	01	VAR - 390199, 391151, 743544, 743545 - EXHAUST SYSTEM, MUFFLER
10.254.AI	02	VAR - 390199, 391151, 743544, 743545 - MUFFLER, FILTER, COMPONENTS
10.254.AI	03	VAR - 390199, 391151, 743544, 743545 - EXHAUST SYSTEM, MUFFLER, HEAT SHIELD
10.310.AA		VAR - 391013 - AFTERCOOLER
10.310.AB		VAR - 391013 - AFTERCOOLER LINE
10.400.AK		VAR - 391013 - EXPANSION TANK, PIPE
10.400.AP		VAR - 391013 - RADIATOR HOSE
10.400.BE		VAR - 391013 - RADIATOR
10.400.BF	01	VAR - 390200 - RADIATOR FAN SHROUD
10.400.BF	02	VAR - 391013 - AFTERCOOLER, SIDE PLATE
10.400.BF	03	VAR - 334216 - RADIATOR, SUPPORT, LOWER
10.400.BF	04	VAR - 330200 - RADIATOR FAN SHROUD
10.400.BF	05	VAR - 334218, 331789 - RADIATOR, SUPPORT, LOWER
10.400.BF	06	VAR - 332789, 334219 - RADIATOR, SUPPORT, LOWER
10.400.BF	07	VAR - 334216 - RADIATOR, SUPPORT, LOWER
10.400.BF	08	VAR - 743519, 743594, 743566, 743565 - RADIATOR FAN SHROUD, SUPPORT, WAD, W/O CAB
10.400.BH	01	VAR - 390200, 330200 - WATER TANK
10.414.AC	01	VAR - 390018 - FAN
10.414.AC	02	VAR - 743500 - VISCOUS JOINT FAN
10.414.AD	01	VAR - 390018 - FAN, PULLEY
10.414.AD	02	VAR - 743500 - VISCOUS JOINT FAN, PULLEY
10.414.BE	01	VAR - 390018 - FAN, BELT
10.414.BE	02	VAR - 743500 - VISCOUS JOINT FAN, BELT
18.000.00		SECTION INDEX - CLUTCH
18.100.AA	01	CLUTCH MECHANISM, CABLE
18.100.AA	02	VAR - 744761 - CLUTCH MECHANISM, CABLE
18.100.AF	01	VAR - 743565, 743519, 743566, 743594 - CLUTCH MECHANISM, FORKS, W/O CAB
18.100.AF	02	VAR - 743565, 743594, 743768 - CLUTCH MECHANISM, FORK, W/ CAB

TABLE OF CONTENTS

18.100.AF	03	VAR - 744762, 744763, 744764 - CLUTCH MECHANISM, PEDAL, W/ CAB - END YR 02-MAY-2014
18.100.AF	03A	VAR - 744762, 744763, 744764 - CLUTCH MECHANISM, PEDAL, W/ CAB - BEGIN YR 03-MAY-2014
18.100.AF	04	CLUTCH MECHANISM, PEDAL - END YR 02-MAY-2014
18.100.AF	04A	CLUTCH MECHANISM, PEDAL - BEGIN YR 03-MAY-2014
18.100.AF	05	VAR - 744761 - CLUTCH MECHANISM, PEDAL - END YR 02-MAY-2014
18.100.AF	05A	VAR - 744761 - CLUTCH MECHANISM, PEDAL - BEGIN YR 03-MAY-2014
18.100.AJ	01	VAR - 743565, 743519, 743566, 743594 - CLUTCH MECHANISM, LEVER, W/O CAB
18.100.AJ	02	VAR - 743565, 743594, 743768 - CLUTCH MECHANISM, LEVER, W/ CAB
18.110.AB	01	VAR - 743565, 743519, 743566, 743594 - CLUTCH, MECHANICAL, PTO, W/O CAB
18.110.AB	02	VAR - 743565, 743519, 743566, 743594 - CLUTCH, MECHANICAL, PTO, W/O CAB
18.110.AB	03	VAR - 743565, 743594, 743768 - CLUTCH, HYDRAULIC, PTO, W/ CAB
18.112.AC		VAR - 743565, 743594, 743768 - PTO, DAMPER
21.000.00	01	SECTION INDEX - TRANSMISSION
21.000.00	02	SECTION INDEX - TRANSMISSION
21.104.AL		VAR - 744762, 744763, 744764 - TRANSMISSION LUBRICATION LINE, LEFT SIDE
21.104.AP		VAR - 744762, 744763, 744764 - TRANSMISSION OIL FILTER
21.109.AC	01	VAR - 744762, 744763, 744764 - OIL COOLER - PIPE
21.109.AD		VAR - 743524, 743563 - OIL COOLER LINE
21.109.AK		VAR - 743524 - OIL COOLER
21.110.AD		VAR - 744761, 744762, 744763, 744764 - TRANSMISSION HOUSING, HOSE
21.112.AC	01	TRANSMISSION HOUSING (12X12)
21.112.AC	03	VAR - 744761 - TRANSMISSION HOUSING (12X12, 20X12)
21.112.AC	04	VAR - 744762 - TRANSMISSION HOUSING (12X12 POWER SHUTTLE)
21.112.AC	05	VAR - 744763 - TRANSMISSION HOUSING (12X12, 20X20)
21.112.AE		VAR - 744761, 744762, 744763, 744764 - TRANSMISSION OIL, BREATHER
21.118.AF	02	VAR - 744762, 744763 - TRANSMISSION HOUSING, REAR
21.118.AF	03	TRANSMISSION HOUSING
21.118.AF	04	VAR - 744761 - TRANSMISSION HOUSING
21.130.BC	01	REVERSER, CONTROL LEVER, W/ CAB
21.130.BC	02	REVERSER, CONTROL LEVER, W/O CAB
21.130.BC	03	REVERSER, BREAKDOWN
21.130.BC	04	VAR - 744761 - REVERSER, CONTROL LEVER, W/ CAB
21.130.BC	05	VAR - 744761 - REVERSER, CONTROL LEVER, W/O CAB
21.130.BC	06	VAR - 744761 - REVERSER, BREAKDOWN

TABLE OF CONTENTS

21.130.BC	07	GEARSHIFT, CONTROLLER
21.130.BC	08	VAR - 744761, 744762, 744763 - GEARSHIFT, CONTROL LEVER
21.130.BC	10	RANGE, CONTROL LEVER
21.130.BC	11	VAR - 744761, 744762, 744763, 744764 - RANGE, CONTROL LEVER
21.134.AI	01	TRANSMISSION, CONTROL, INSIDE
21.134.AI	02	VAR - 743516, 743517 - TRANSMISSION, CONTROL, INSIDE
21.134.AM	01	VAR - 744762, 744763 - TRANSMISSION CONTROL VALVE
21.134.AM	02	VAR - 744762, 744763 - TRANSMISSION CONTROL VALVE
21.140.AC	01	VAR - 743507 - TRANSMISSION, SYNCHRONIZER
21.140.AC	02	VAR - 743552 - TRANSMISSION, SYNCHRONIZER
21.140.AC	03	VAR - 743552 - TRANSMISSION, SYNCHRONIZER (HI-LO)
21.140.AE	01	VAR - 743507 - TRANSMISSION, GEARS
21.140.AE	02	VAR - 743507 - TRANSMISSION, GEARS
21.140.AE	03	VAR - 743542 - TRANSMISSION, GEARS
21.140.AE	05	VAR - 743542 - TRANSMISSION, GEARS
21.145.AA	01	TRANSMISSION, DRIVE SHAFT
21.145.AA	02	VAR - 744761 - TRANSMISSION, DRIVE SHAFT
21.145.AA	03	VAR - 744762, 744763 - TRANSMISSION, DRIVE SHAFT
21.145.AB	01	TRANSMISSION, DRIVE SHAFT
21.145.AB	02	VAR - 744761 - TRANSMISSION, DRIVE SHAFT
21.145.AB	03	VAR - 744762, 744763 - TRANSMISSION, DRIVE SHAFT
21.145.AG	01	VAR - 743552 - TRANSMISSION, ROD & FORKS (HI-LO)
21.145.AG	02	VAR - 743507 - TRANSMISSION, ROD & FORKS
21.145.AG	04	VAR - 743507 - TRANSMISSION, ROD & FORKS
21.145.AH	01	TRANSMISSION, COVERS
21.145.AH	02	VAR - 744761 - TRANSMISSION, COVERS
21.145.AH	03	VAR - 744762, 744763 - TRANSMISSION, COVERS
21.145.AM	03	VAR - 743552 - TRANSMISSION, ROD & FORKS
21.148.AA	01	VAR - 743507, 743552 - SYNCHRONIZER
21.148.AA	02	VAR - 743552, 743507 - SYNCHRONIZER, HEAVY DUTY
21.148.AC	01	VAR - 743507, 743552 - CENTRAL REDUCTION GEAR, BEARING
21.148.AC	02	CENTRAL REDUCTION GEAR, BEARING, HEAVY DUTY
21.148.AH	01	DRIVE GEAR SHAFT, GEAR, BEARING
21.148.AH	02	VAR - 743552, 743507 - DRIVE GEAR SHAFT, BEARING, HEAVY DUTY

TABLE OF CONTENTS

21.148.AK	01	VAR - 744761 - TRANSMISSION, ROD & FORKS
21.148.AK	02	VAR - 744764 - TRANSMISSION, ROD & FORKS (POWER SHUTTLE)
21.154.AA	01	VAR - 744764 - CLUTCH HOUSING (HI-LO)
21.154.AA	02	VAR - 744764 - CLUTCH HOUSING (HI-LO)
21.154.AA	03	VAR - 744762, 744763 - CLUTCH HOUSING
21.154.AA	04	VAR - 744762, 744763 - CLUTCH HOUSING
21.155.AA	02	VAR - 744762, 744763 - TRANSMISSION, COVER, MANIFOLD
21.160.AH	01	VAR - 744763 - CREEPER, LEVER, BRACKET (20X12)
21.160.AH	02	VAR - 744763 - CREEPER, LEVER (20X12)
21.160.AI	01	VAR - 74476, 744763 - CREEPER, CONTROL LEVER, W/ CAB
21.160.AI	02	VAR - 744761, 744763 - CREEPER, CONTROL LEVER, W/O CAB
21.160.AK	01	VAR - 744761 - CREEPER , SHIFTER FORK (20X12)
21.160.AK	02	VAR - 744763 - CREEPER , SHIFTER FORK (20X12)
21.160.AN	01	VAR - 744761 - TRANSMISSION, CREEPER (20X12)
21.160.AN	02	VAR - 744763 - TRANSMISSION, CREEPER (20X12)
21.162.AB	01	REVERSER, MECHANICAL, SUPPORT, CABLE
21.162.AB	02	VAR - 744761 - REVERSER, MECHANICAL, SUPPORT, CABLE
21.162.AE	01	TRASMISSION, REVERSE CONTROL
21.162.AE	02	VAR - 744761 - TRASMISSION, REVERSE CONTROL
21.162.AF	01	REVERSER, GEARS & SHAFT
21.162.AF	02	VAR - 744761 - REVERSER, GEARS & SHAFT
21.162.AF	03	VAR - 744762 - REVERSER, GEARS & SHAFT
21.162.AF	04	VAR - 744763 - REVERSER, GEARS & SHAFT
21.162.AJ	01	TRANSMISSION, REVERSER
21.162.AJ	02	VAR - 744761 - TRANSMISSION, REVERSER
21.162.AJ	03	VAR - 744762 - TRANSMISSION, REVERSER
21.162.AJ	04	VAR - 744763 - TRANSMISSION, REVERSER
21.162.AJ	06	VAR - 743565, 743594, 743768 - TRANSMISSION, REVERSER
23.000.00		SECTION INDEX - 4WD LINES
23.202.AD	01	4WD - CASING, PLUG
23.202.AD	02	VAR - 743558 - 4WD - CASING - DRIVE SHAFT, HYD CONNECTOR
23.202.AD	03	VAR - 743558 - 4WD - CASING, SEAL
23.202.AI	01	4WD - CASING - GEAR
23.202.AJ	01	VAR - 390381 - DIFFERENTIAL LOCK, MECHANICAL, VALVE, W/O CAB

TABLE OF CONTENTS

23.202.AJ	02	VAR - 743564 - DIFFERENTIAL LOCK, HYDRAULIC, VALVE, W/ CAB - ISO
23.202.AJ	03	VAR - 743564 - DIFFERENTIAL LOCK, HYDRAULIC, VALVE (HI-LO)
23.202.AJ	04	VAR - 743564 - DIFFERENTIAL LOCK, HYDRAULIC, VALVE
23.202.AJ	05	VAR - 743564 - DIFFERENTIAL LOCK, VALVE
23.202.AJ	06	VAR - 743564 - DIFFERENTIAL LOCK, VALVE, W/ CAB
23.202.AJ	07	VAR - 743564 - DIFFERENTIAL LOCK, VALVE, W/ CAB
23.202.AJ	08	VAR - 743564 - DIFFERENTIAL LOCK, VALVE, W/ CAB
23.202.AJ	09	VAR - 743564 - DIFFERENTIAL LOCK, VALVE
23.202.AN	01	VAR - 335775 - LUBRICATION LINE, 4WD - ISO
23.202.AN	02	VAR - 744782 - LUBRICATION LINE, 4WD - NA
23.202.AN	04	VAR - 743560, 337323, 743561, 338323, 743583 - LUBRICATION LINE, 4WD - ISO
23.202.AN	05	VAR - 744580, 744581 - LUBRICATION LINE, 4WD - ISO
23.202.AN	07	VAR - 744782, 744580, 744581, 743560, 337323, 743561, 338323 - LUBRICATION LINE, 4WD
23.314.AH	01	VAR - 743558 - DRIVE SHAFT, SUPPORT, SHIELD
23.314.AH	02	VAR - 332448 - DRIVE SHAFT, SUPPORT
23.314.AH	03	VAR - 332448 - DRIVE SHAFT, GUARD
25.000.00		SECTION INDEX - FRONT MECHANICAL DRIVE
25.100.AD	01	VAR - 744580, 744782 - 4WD, FRONT AXLE, HOUSING
25.100.AD	02	VAR - 743561 - 4WD FRONT AXLE, HOUSING
25.100.AD	03	VAR - 744581, 337322 - 4WD FRONT AXLE, HOUSING (HEAVY DUTY)
25.100.AD	04	VAR - 338323 - 4WD FRONT AXLE, HOUSING, W/HYDRAULIC DIFFERENTIAL LOCK AND BRAKE (HEAVY DUTY)
25.100.AI	01	FRONT AXLE, ARTICULATION, SUPPORT, 4WD
25.100.AI	02	VAR - 334218, 331789 - FRONT AXLE, ARTICULATION, SUPPORT, 4WD
25.100.AI	03	VAR - 332789, 334219 - FRONT AXLE, ARTICULATION, SUPPORT, 4WD
25.100.AN		VAR - 744762, 744763, 744764 - BRACKET, OIL FILTER
25.100.AV	01	VAR - 334216 - FRONT AXLE SUPPORT, 4WD
25.100.AV	02	VAR - 334218, 331789 - FRONT AXLE SUPPORT, 4WD
25.100.AV	03	VAR - 332789, 334219 - FRONT AXLE SUPPORT, 4WD
25.100.AV	04	VAR - 331490, 743593 - FRONT AXLE SUPPORT, SPACER, 4WD
25.100.AV	05	VAR - 330489, 333489, 334489, 335489, 339489, 334490, 335490, 336490, 337490, 338498 - FRONT AXLE SUPPORT, SPACER, 4WD
25.100.AV	06	VAR - 743593 - FRONT AXLE SUPPORT, 4WD, LESS FRONT LOADER
25.102.AC	01	VAR - 744580, 744782 - 4WD, FRONT AXLE, DIFFERENTIAL CARRIER
25.102.AC	02	VAR - 744580, 744581, 744782, 743560, 743561, 337323, 338323 - 4WD FRONT AXLE, BEVEL GEAR

TABLE OF CONTENTS

25.102.AC	03	VAR - 744580, 744581, 744782, 743560, 743561, 337323, 338323 - 4WD, FRONT AXLE, SHIM KIT
25.102.AC	04	VAR - 744580, 744581, 744782, 743560, 743561, 337323, 338323 - 4WD FRONT AXLE, SHIM KIT
25.102.AC	05	VAR - 743560, 743561 - 4WD FRONT AXLE, DIFFERENTIAL CARRIER, W/HYDRAULIC DIFFERENTIAL LOCK
25.102.AC	06	VAR - 744581 - 4WD FRONT AXLE, DIFFERENTIAL CARRIER, W/LIMITED SLIP DIFFERENTIAL (HEAVY DUTY)
25.102.AC	07	VAR - 337323, 338323 - 4WD FRONT AXLE, DIFFERENTIAL CARRIER, W/HYDRAULIC DIFFERENTIAL LOCK (HEAVY DUTY)
25.102.AD	01	VAR - 743560, 743561, 337323, 338323 - 4WD FRONT AXLE, DIFFERENTIAL, W/HYDRAULIC DIFFERENTIAL LOCK
25.102.AD	02	VAR - 744782 - 4WD FRONT AXLE, DIFFERENTIAL, W/MECHANICAL DIFFERENTIAL
25.102.AE	01	VAR - 744580, 744581 - 4WD FRONT AXLE, DIFFERENTIAL, W/LIMITED SLIP DIFFERENTIAL
25.102.AS		VAR - 743560, 743561, 337323, 338323 - 4WD FRONT AXLE, DIFFERENTIAL LOCK, W/HYDRAULIC DIFFERENTIAL LOCK
25.102.AT	01	VAR - 744782 - DIFFERENTIAL LOCK, FRONT, HYDR LINES - NA
25.102.AT	02	VAR - 743560 - DIFFERENTIAL LOCK, FRONT, HYDR LINES (HI-LO)
25.102.AT	03	VAR - 743560, 337323, 743561, 338323, 743583 - DIFFERENTIAL LOCK, FRONT, HYDR LINES - ISO
25.102.AT	04	VAR - 743560, 337323, 338323 - DIFFERENTIAL LOCK, FRONT, HYDR LINES (HI-LO)
25.102.AT	05	VAR - 743560, 743561, 337323, 337323 - 4WD FRONT AXLE, DIFFERENTIAL LOCK, PIPE, W/HYDRAULIC DIFFERENTIAL LOCK
25.108.AA	01	VAR - 744580, 744782 - 4WD FRONT AXLE, HALF SHAFT
25.108.AA	02	VAR - 743560 - 4WD FRONT AXLE, HALF SHAFT, W/HYDRAULIC DIFFERENTIAL LOCK
25.108.AA	03	VAR - 743561 - 4WD FRONT AXLE, HALF SHAFT, W/HYDRAULIC DIFFERENTIAL LOCK AND BRAKE
25.108.AA	04	VAR - 744581 - 4WD FRONT AXLE, HALF SHAFT, W/LIMITED SLIP DIFFERENTIAL (HEAVY DUTY)
25.108.AA	05	VAR - 337323, 338323 - 4WD FRONT AXLE, HALF SHAFT, W/HYDRAULIC DIFFERENTIAL LOCK (HEAVY DUTY)
25.108.AB	01	VAR - 744580, 744782 - 4WD FRONT AXLE, PLANETARY REDUCER
25.108.AB	02	VAR - 743561 - 4WD FRONT AXLE, PLANETARY REDUCER, W/HYDRAULIC DIFFERENTIAL LOCK AND BRAKE
25.108.AB	03	VAR - 744581, 337323 - 4WD FRONT AXLE, PLANETARY REDUCER (HEAVY DUTY)
25.108.AB	04	VAR - 338323 - 4WD FRONT AXLE, PLANETARY REDUCER, W/HYDRAULIC DIFFERENTIAL LOCK AND BRAKE (HEAVY DUTY)
25.108.AG	01	VAR - 744580, 744782 - 4WD FRONT AXLE, STEERING KNUCKLE
25.108.AG	02	VAR - 743561 - 4WD FRONT AXLE, STEERING KNUCKLE, W/HYDRAULIC DIFFERENTIAL LOCK AND BRAKE
25.108.AG	03	VAR - 744581, 337323 - 4WD FRONT AXLE, STEERING KNUCKLE (HEAVY DUTY)
25.108.AG	04	VAR - 338323 - 4WD FRONT AXLE, STEERING KNUCKLE, W/HYDRAULIC DIFFERENTIAL LOCK AND BRAKE (HEAVY DUTY)
25.108.AN	01	VAR - 744580, 744782 - 4WD FRONT AXLE, HUB
25.108.AN	02	VAR - 743561 - 4WD FRONT AXLE, HUB, W/HYDRAULIC DIFFERENTIAL LOCK AND BRAKE
25.108.AN	03	VAR - 744581, 337323 - 4WD FRONT AXLE, HUB (HEAVY DUTY)
25.108.AN	04	VAR - 338323 - 4WD FRONT AXLE, HUB, W/HYDRAULIC DIFFERENTIAL LOCK AND BRAKE (HEAVY DUTY)

TABLE OF CONTENTS

25.400.AD		VAR - 330581 - 2WD FRONT AXLE, AXLE EXTENSION
25.400.AF		VAR - 334216 - FRONT AXLE SUPPORT, 2WD
25.400.AH		VAR - 330581 - 2WD FRONT AXLE, HUB
25.400.AL		VAR - 334216 - FRONT AXLE, SUPPORT, PLATE, 2WD
25.400.AM		VAR - 330581 - 2WD FRONT AXLE, BODY
25.400.AQ		VAR - 330581 - 2WD FRONT AXLE, STEERING KNUCKLE
27.000.00		SECTION INDEX - REAR DRIVE AXLE
27.106.AA	01	VAR - 743507, 743552, 744762, 744763, 744764 - BEVEL GEAR
27.106.AA	02	VAR - 743552, 743507, 744762, 744763, 744764 - BEVEL GEAR, HEAVY DUTY
27.106.AC	01	VAR - 390411, DIFFERENTIAL
27.106.AC	02	VAR - 333411 - DIFFERENTIAL, HEAVY DUTY
27.106.AL		VAR - 390381 - DIFFERENTIAL LOCK, REAR, PEDAL
27.106.AM		VAR - 390381 - MECHANICAL DIFF. LOCK CONTROL, ROD & FORKS, SLEEVE
27.106.AN	01	VAR - 335775 - DIFFERENTIAL LOCK, VALVE, PIPE - ISO
27.106.AN	02	VAR - 744782 - DIFFERENTIAL LOCK, VALVE, PIPE - NA
27.106.AN	03	VAR - 743560 - DIFFERENTIAL LOCK, PIPE (HI-LO)
27.106.AN	04	VAR - 330581, 744581, 744580 - DIFFERENTIAL LOCK, VALVE, PIPE
27.106.AN	05	VAR - 744580 - DIFFERENTIAL LOCK, VALVE, PIPE - NA
27.106.AN	06	VAR - 743560, 337323, 743561, 338323, 743583 - DIFFERENTIAL LOCK, PIPE - ISO
27.106.AN	07	VAR - 743560, 337323, 338323, 743561 - DIFFERENTIAL LOCK, PIPE (HI-LO)
27.106.AO	01	VAR - 743564 - HYDRAULIC DIFF. LOCK CONTROL, ROD & FORKS, SLEEVE
27.106.AR	01	VAR - 390411 - DIFFERENTIAL GEAR, SUPPORT
27.106.AR	02	VAR - 333411 - DIFFERENTIAL LOCK, SUPPORT
27.120.AF	01	VAR - 390411 - FINAL DRIVE, GEARS & SHAFT
27.120.AF	02	VAR - 390411 - FINAL DRIVE AXLE
27.120.AF	03	VAR - 333411 - FINAL DRIVE, GEARS & SHAFT
27.120.AF	04	VAR - 333411 - FINAL DRIVE, AXLE
27.120.AF	05	VAR - 390411 - FINAL DRIVE, GEARS & SHAFT
27.120.AF	06	VAR - 390411 - FINAL DRIVE, AXLE
27.120.AI	01	VAR - 390411 - FINAL DRIVE HOUSING
27.120.AI	02	VAR - 390411, 333411 - FINAL DRIVE HOUSING
31.000.00		SECTION INDEX - IMPLEMENT POWER TAKE-OFF
31.101.AB	01	VAR - 743519 - PTO 540-540E RPM W/ GROUND SPEED, MECHANICAL, CONTROL LEVER, W/O CAB - ISO

TABLE OF CONTENTS

31.101.AB	02	VAR - 743768 - PTO 540/540E/1000 RPM, HYDRAULIC, CONTROL LEVER
31.101.AC	01	VAR - 743519 - PTO 540-540E RPM W/ GROUND SPEED, MECHANICAL, CONTROL LEVER, W/O CAB - ISO
31.101.AC	02	VAR - 743768 - PTO 540/540E/1000 RPM, HYDRAULIC, CONTROL LEVER
31.101.AC	03	VAR - 743519, 743768 - PTO, ENGAGE AND RELEASE CONTROL
31.101.AC	04	VAR - 743519, 743566 - PTO, SPEED CHANGE LEVER
31.101.AC	05	VAR - 743594 - PTO, SPEED CHANGE LEVER
31.101.AC	06	VAR - 743768 - PTO, SPEED CHANGE LEVER
31.104.AJ		VAR - 743565, 743594, 743768 - PTO, BRAKE LINE
31.104.AW		VAR - 743565, 743594, 743768 - PTO, REAR SUPPLY LINE
31.104.AY		VAR - 743768 - PTO, SPEED CHANGE LEVER
31.110.AB	01	VAR - 743565 - PTO 540 RPM, MECHANICAL, DRIVEN SHAFT, W/O CAB
31.110.AB	02	VAR - 743565 - PTO 540 RPM - HYDRAULIC, DRIVEN SHAFT
31.110.AB	03	VAR - 743565 - PTO 540 RPM - HYDRAULIC, DRIVEN SHAFT
31.110.AH	01	VAR - 743565 - PTO 540 RPM, MECHANICAL, SHAFT, FRONT
31.110.AH	02	VAR - 743565 - PTO 540 RPM - HYDRAULIC, SHAFT, FRONT, W/ CAB
31.110.AH	03	VAR - 743565 - PTO 540 RPM, POWERSHUTTLE, HYDRAULIC, SHAFT, FRONT - ISO
31.110.AH	04	VAR - 743565 - PTO 540 RPM - HYDRAULIC, ENGAGED DRIVE SHAFT
31.110.AI	01	VAR - 743565 - PTO 540 RPM, MECHANICAL, CASING, DIPSTICK, W/O CAB
31.110.AI	02	VAR - 743565 - PTO 540 RPM, MECHANICAL, SHROUD, W/O CAB
31.110.AI	03	VAR - 743565 - PTO 540 RPM - HYDRAULIC, CASING
31.110.AI	04	VAR - 743565 - PTO 540 RPM - HYDRAULIC, CASING, OIL FILL & DIPSTICK
31.110.AI	05	VAR - 743565 - PTO 540 RPM, HIDRAULIC, CASING, SHROUD
31.110.AI	06	VAR - 334196, 334197, 334198, 334201 - PTO SHAFT, GUARD
31.110.AI	07	VAR - 334196, 334197, 334198, 334201 - PTO SHAFT, GUARD
31.110.AI	08	VAR - 330928, 331928, 330897, 334202, 330772, 334203 - PTO SHAFT, GUARD
31.110.AI	09	VAR - 743565 - PTO 540 RPM - HYDRAULIC, CASING
31.110.AI	10	VAR - 743565 - PTO 540 RPM - HYDRAULIC, CASING, OIL FILL & DIPSTICK
31.110.AK	01	VAR - 743565 - PTO 540 RPM, MECHANICAL, DRIVEN GEAR, SHAFT, W/O CAB
31.110.AK	02	VAR - 743565 - PTO 540 RPM, HYDRAULIC, DRIVE GEAR SHAFT
31.110.AK	03	VAR - 743565 - PTO 540 RPM, HYDRAULIC, DRIVE GEAR SHAFT
31.110.AO	01	VAR - 743565 - PTO 540 RPM, HYDRAULIC, CLUTCH
31.110.AO	02	VAR - 743565 - PTO 540 RPM, HYDRAULIC, CLUTCH
31.110.AQ		VAR - 743565 - PTO 540 RPM - HYDRAULIC, CLUTCH, BRAKE

TABLE OF CONTENTS

31.110.AR	01	VAR - 743565 - PTO 540 RPM, MECHANICAL, DRIVEN GEAR, W/O CAB
31.110.AR	02	VAR - 743565 - PTO 540 RPM, HYDRAULIC, DRIVING GEAR
31.110.AR	03	VAR - 743565 - PTO 540 RPM, HYDRAULIC, DRIVING GEAR
31.114.AB	01	VAR - 743566 - PTO 540-540E RPM, MECHANICAL, DRIVEN SHAFT, W/O CAB
31.114.AB	02	VAR - 743519 - PTO 540-540E RPM W/ GROUND SPEED, MECHANICAL, DRIVEN SHAFT, W/O CAB - ISO
31.114.AB	03	VAR - 743594 - PTO 540/1000 RPM, MECHANICAL, DRIVEN SHAFT, W/O CAB - NA
31.114.AB	04	VAR - 743594 - PTO 540/1000 RPM, HYDRAULIC, DRIVEN SHAFT - NA
31.114.AB	05	VAR - 743594 - PTO 540/1000 RPM, HYDRAULIC, DRIVEN SHAFT - NA
31.114.AB	06	VAR - 743594 - PTO 540/1000 RPM, HYDRAULIC, DRIVEN SHAFT - ISO
31.114.AD	01	VAR - 743566 - PTO 540-540E RPM, MECHANICAL, SHAFT, FRONT, W/O CAB
31.114.AD	02	VAR - 743519 - PTO 540-540E RPM W/ GROUND SPEED, MECHANICAL, SHAFT, FRONT, W/O CAB - ISO
31.114.AD	03	VAR - 743594 - PTO 540/1000 RPM, MECHANICAL, SHAFT, FRONT, W/O CAB - NA
31.114.AD	04	VAR - 743594 - PTO 540/1000 RPM, HYDRAULIC, SHAFT, FRONT, W/ CAB - NA
31.114.AD	05	VAR - 743594 - PTO 540/1000 RPM, POWERSHUTTLE, HYDRAULIC, SHAFT, FRONT - NA
31.114.AD	06	VAR - 743594 - PTO 540/1000 RPM, HYDRAULIC, ENGAGED DRIVE SHAFT - NA
31.114.AF	01	VAR - 743594 - PTO 540/1000 RPM, MECHANICAL, OUTPUT SHAFT, DUAL SPEED, W/O CAB - NA
31.114.AF	02	VAR - 743594 - PTO 540/1000 RPM, HYDRAULIC, OUTPUT SHAFT, DUAL SPEED - NA
31.114.AF	03	VAR - 743594 - PTO 540/1000 RPM, HYDRAULIC, OUTPUT SHAFT, DUAL SPEED - NA
31.114.AF	04	VAR - 743594 - PTO 540/1000 RPM, HYDRAULIC, OUTPUT SHAFT, DUAL SPEED - ISO
31.114.AH	01	VAR - 743566 - PTO 540-540E RPM, MECHANICAL, CASING, DIPSTICK, W/O CAB
31.114.AH	02	VAR - 743566 - PTO 540-540E RPM, MECHANICAL, CASING, SHROUD, W/O CAB
31.114.AH	03	VAR - 743519 - PTO 540-540E RPM W/ GROUND SPEED, MECHANICAL, CASING, DIPSTICK, W/O CAB - ISO
31.114.AH	04	VAR - 743519 - PTO 540-540E RPM W/ GROUND SPEED, MECHANICAL, CASING, SHROUD, W/O CAB - ISO
31.114.AH	05	VAR - 743594 - PTO 540/1000 RPM, MECHANICAL, CASING, DIPSTICK, W/O CAB - NA
31.114.AH	06	VAR - 743594 - PTO 540/1000 RPM, MECHANICAL, SHROUD, W/O CAB - NA
31.114.AH	07	VAR - 743594 - PTO 540/1000 RPM, HYDRAULIC, CASING - NA
31.114.AH	08	VAR - 743594 - PTO 540/1000 RPM, HYDRAULIC, CASING, OIL FILL & DIPSTICK - NA
31.114.AH	09	VAR - 743594 - PTO 540/1000 RPM, HYDRAULIC, CASING, SHROUD
31.114.AH	10	VAR - 334196, 334197, 334198, 334201 - PTO SHAFT, GUARD
31.114.AH	11	VAR - 392905, 334194, 334208, 334209 - PTO SHAFT, GUARD
31.114.AH	12	VAR - 330928, 331928, 330897, 334202, 330772, 334203 - PTO SHAFT, GUARD
31.114.AH	13	VAR - 743594 - PTO 540/1000 RPM, HYDRAULIC, CASING - NA
31.114.AH	14	VAR - 743594 - PTO 540/1000 RPM, HYDRAULIC, CASING, OIL FILL & DIPSTICK - NA

TABLE OF CONTENTS

31.114.AH	15	VAR - 743594 - PTO 540/1000 RPM, HYDRAULIC, CASING - ISO
31.114.AH	16	VAR - 743594 - PTO 540/1000 RPM, HYDRAULIC, CASING, OIL FILL & DIPSTICK - ISO
31.114.AI	01	VAR - 743594 - PTO 540/1000 RPM, HYDRAULIC, CLUTCH
31.114.AI	02	VAR - 743594 - PTO 540/1000 RPM, HYDRAULIC, CLUTCH
31.114.AJ		VAR - 743594 - PTO 540/1000 RPM, HYDRAULIC, CLUTCH, BRAKE
31.114.AO	01	VAR - 743566 - PTO 540-540E RPM, MECHANICAL, SHIFTER FORK, W/O CAB
31.114.AO	02	VAR - 743519 - PTO 540-540E RPM W/ GROUND SPEED, MECHANICAL, SHIFTER FORK, W/O CAB - ISO
31.114.AO	03	VAR - 743594 - PTO 540/1000 RPM, MECHANICAL, SHIFTER FORK, W/O CAB - NA
31.114.AO	04	VAR - 743594 - PTO 540/1000 RPM, HYDRAULIC, SHIFTER FORK - NA
31.114.AO	05	VAR - 743594 - PTO 540/1000 RPM, HYDRAULIC, SHIFTER FORK - NA
31.114.AO	06	VAR - 743594 - PTO 540-540E RPM, MECHANICAL, SHIFTER FORK - ISO
31.114.AP	01	VAR - 743566 - PTO 540-540E RPM, MECHANICAL, DRIVE GEAR SHAFT, W/O CAB
31.114.AP	02	VAR - 743519 - PTO 540-540E RPM W/ GROUND SPEED, MECHANICAL, DRIVE GEAR SHAFT, W/O CAB - ISO
31.114.AP	03	VAR - 743594 - PTO 540/1000 RPM, MECHANICAL, DRIVE GEAR SHAFT, W/O CAB - NA
31.114.AP	04	VAR - 743594 - PTO 540/1000 RPM, HYDRAULIC, DRIVE GEAR SHAFT - NA
31.114.AP	05	VAR - 743594 - PTO 540/1000 RPM, HYDRAULIC, DRIVE GEAR SHAFT - NA
31.114.AP	06	VAR - 743594 - PTO 540/1000 RPM, HYDRAULIC, DRIVE GEAR SHAFT - ISO
31.114.AT	01	VAR - 743566 - PTO 540-540E RPM, MECHANICAL, DRIVEN GEAR, W/O CAB
31.114.AT	02	VAR - 743519 - PTO 540-540E RPM W/ GROUND SPEED, MECHANICAL, DRIVEN GEAR, W/O CAB - ISO
31.114.AT	03	VAR - 743594 - PTO 540/1000 RPM, MECHANICAL, DRIVEN GEAR, W/O CAB - NA
31.114.AT	04	VAR - 743594 - PTO 540/1000 RPM, HYDRAULIC, DRIVEN GEAR - NA
31.114.AT	05	VAR - 743594 - PTO 540/1000 RPM, HYDRAULIC, DRIVEN GEAR - NA
31.114.AT	06	VAR - 743594 - PTO 540/1000 RPM, HYDRAULIC, DRIVEN GEAR - ISO
31.116.AB	01	VAR - 743768 - PTO 540/540E/1000 RPM, HIDRAULIC, HIDRAULIC, DRIVEN SHAFT
31.116.AB	02	VAR - 743768 - PTO 540/540E/1000 RPM, HIDRAULIC, HIDRAULIC, DRIVEN SHAFT
31.116.AC	01	VAR - 743768 - PTO 540/540E/1000 RPM, HYDRAULIC, SHAFT, FRONT, W/ CAB - ISO
31.116.AC	02	VAR - 743768 - PTO 540/540E/1000 RPM, POWERSHUTTLE, HYDRAULIC, SHAFT, FRONT, W/ CAB - ISO
31.116.AC	03	VAR - 743768 - PTO 540/540E/1000 RPM, HYDRAULIC, ENGAGED, DRIVE SHAFT
31.116.AF	01	VAR - 743768 - PTO 540/540E/1000 RPM, HYDRAULIC, OUTPUT SHAFT
31.116.AF	02	VAR - 743768 - PTO 540/540E/1000 RPM, HYDRAULIC, OUTPUT SHAFT
31.116.AG	01	VAR - 743768 - PTO 540/540E/1000 RPM, HYDRAULIC, CASING
31.116.AG	02	VAR - 743768 - PTO 540/540E/1000 RPM, HYDRAULIC, CASING, OIL FILL & DIPSTICK
31.116.AG	03	VAR - 743768 - PTO 540/540E/1000 RPM, HYDRAULIC, CASING, SHROUD

TABLE OF CONTENTS

31.116.AG	04	VAR - 334196, 334197, 334198, 334201 - PTO SHAFT, GUARD
31.116.AG	05	VAR - 392905, 334194, 334208, 334209 - PTO SHAFT, GUARD
31.116.AG	06	VAR - 330928, 331928, 330897, 334202, 330772, 334203 - PTO SHAFT, GUARD
31.116.AG	07	VAR - 743768 - PTO 540/540E/1000 RPM, HYDRAULIC, CASING
31.116.AG	08	VAR - 743768 - PTO 540/540E/1000 RPM, HYDRAULIC, CASING, OIL FILL & DIPSTICK
31.116.AH	01	VAR - 743768 - PTO 540/540E/1000 RPM, HYDRAULIC, CLUTCH, BRAKE
31.116.AH	02	VAR - 743768 - PTO 540/540E/1000 RPM, HYDRAULIC, CLUTCH, BRAKE
31.116.AK	01	VAR - 743768 - PTO 540/540E/1000 RPM, HYDRAULIC, SHIFTER FORK
31.116.AK	02	VAR - 743768 - PTO 540/540E/1000 RPM, HYDRAULIC, DRIVEN GEAR
31.116.AK	03	VAR - 743768 - PTO 540/540E/1000 RPM, HYDRAULIC, SHIFTER FORK
31.116.AK	04	VAR - 743768 - PTO 540/540E/1000 RPM, HYDRAULIC, DRIVEN GEAR
31.116.AL	01	VAR - 743768 - PTO 540/540E/1000 RPM, HYDRAULIC, DRIVE GEAR SHAFT
31.116.AL	02	VAR - 743768 - PTO 540/540E/1000 RPM, HYDRAULIC, DRIVE GEAR SHAFT
31.116.AP		VAR - 743768 - PTO 540/540E/1000 RPM, HYDRAULIC, CLUTCH, BRAKE
31.142.AA		VAR - 332789 - FRONT, PTO, ASSY, ACTUATOR
31.142.AF	01	VAR - 332789 - FRONT, PTO, ASSY, ASSY
31.142.AF	02	VAR - 332789 - FRONT, PTO, ASSY, HYDR LINES
31.142.AF	03	VAR - 332789 - FRONT, PTO, ASSY, HYDR LINES
31.146.AA		VAR - 332789 - FRONT, PTO, ASSY, DRIVE, DRIVE SHAFT
31.146.AB		VAR - 332789 - FRONT, PTO, ASSY, DRIVEN SHAFT
31.146.AC		VAR - 332789 - FRONT, PTO, ASSY, HOUSING
31.146.AE	01	VAR - 332789 - FRONT PTO, CLUTCH
31.146.AE	02	VAR - 332789 - FRONT PTO, CLUTCH, COMPONENTS
31.146.AH		VAR - 332789 - FRONT, PTO, ASSY, FLEXIBLE COUPLING, ASSY
31.146.AI		VAR - 332789 - FRONT, PTO, ASSY, COVER
31.146.AL		VAR - 332789 - FRONT, PTO, ASSY, GUARD
33.000.00		SECTION INDEX - BRAKES & CONTROLS
33.110.AJ	01	VAR - 391606, 743573, 743496, 334179, 334180, 334183, 334185, 334211, 744588, 336606 - HAND BRAKE, W/ CAB
33.110.AJ	02	VAR - 391606, 743573, 743496, 334179, 334180, 334183, 334185, 334211, 744588, 744588, 336606 - HAND BRAKE, COMPONENTS, W/ CAB
33.110.AJ	03	VAR - 331606, 334181, 334182, 334184, 334212, 339606 - HAND BRAKE, W/ CAB
33.110.AJ	04	VAR - 331606, 334181, 334182, 334184, 334212, 339606 - HAND BRAKE, HAND BRAKE, COMPONENTS
33.110.AJ	05	VAR - 392315, 394315, 334187, 334188, 334190, 334191 - HAND BRAKE, W/O CAB
33.110.AJ	06	VAR - 392315, 394315, 334187, 334188, 334190, 334191 - HAND BRAKE, COMPONENTS, W/O CAB

TABLE OF CONTENTS

33.110.AJ	07	VAR - 390400, 337401 - PARKING BRAKE
33.110.AJ	08	VAR - 390400, 337401 - PARKING BRAKE, CONTROL LEVER, COMPONENTS
33.110.AP	01	PARKING BRAKE, EXTERNAL CONTROLS
33.110.AP	02	VAR - 337401 - PARKING BRAKE, EXTERNAL CONTROLS
33.110.AV	01	PARKING BRAKE, DISC
33.110.AV	02	VAR - 337401 - PARKING BRAKE, DISC
33.110.AZ		VAR - 337401 - PARKING BRAKE, HOUSING
33.202.AK		VAR - 390411, 333411 - BRAKE DISC
33.202.AN	01	VAR - 743560, 743561, 74580, 744782, 330581 - BRAKE RESERVOIR & LINES
33.202.AN	02	VAR - 744581, 337323, 338323 - BRAKE RESERVOIR & LINES (HEAVY DUTY)
33.202.AN	03	VAR - 743561, 338323, 743561 - BRAKE RESERVOIR & LINES
33.202.AR	01	VAR - 743560, 743561, 744580, 744782, 330581 - MASTER CYLINDER
33.202.AR	02	VAR - 744581, 337323, 338323 - MASTER CYLINDER (HEAVY DUTY)
33.202.AR	03	VAR - 743561, 338323, 743561 - MASTER CYLINDER
33.202.BE	01	VAR - 743560, 743561, 744580, 744782, 330581 - BRAKE, HYDR LINES
33.202.BE	02	VAR - 744581, 337323, 338323 - BRAKE, HYDR LINES (HEAVY DUTY)
33.202.BN	01	VAR - 331606, 334181, 334182, 334184, 334212, 339606 - BRAKES, PEDAL - END YR 02-MAY-2014
33.202.BN	01A	VAR - 331606, 334181, 334182, 334184, 334212, 339606 - BRAKES, PEDAL - BEGIN YR 03-MAY-2014
33.202.BN	02	VAR - 391606, 743573, 743496, 334179, 334180, 334183, 334185, 334211, 744588, 336606 - BRAKES, PEDAL - END YR 02-MAY-2014
33.202.BN	02A	VAR - 391606, 743573, 743496, 334179, 334180, 334183, 334185, 334211, 744588, 336606 - BRAKES, PEDAL - BEGIN YR 03-MAY-2014
33.202.BO	01	VAR - 743560, 743561, 744580, 744582, 330581 - MASTER CYLINDER, PRESSURE PIPE
33.202.BO	02	VAR - 744581, 337323, 338323 - MASTER CYLINDER, PRESSURE PIPE (HEAVY DUTY)
33.202.BO	03	VAR - 743561, 338323, 743561 - MASTER CYLINDER, PRESSURE PIPE
33.204.AB		VAR - 743561 - 4WD FRONT AXLE, BLEED SCREW, AIR, W/HYDRAULIC DIFFERENTIAL LOCK AND BRAKE
33.204.AD	01	VAR - 743561 - 4WD FRONT AXLE, BRAKES, W/HYDRAULIC DIFFERENTIAL LOCK AND BRAKE
33.204.AD	02	VAR - 338323 - 4WD FRONT AXLE, BRAKES, W/HYDRAULIC DIFFERENTIAL LOCK AND BRAKE (HEAVY DUTY)
33.204.AG	01	VAR - 743561, 338323 - 4WD FRONT AXLE, W/HYDRAULIC DIFFERENTIAL LOCK AND BRAKE, BRAKE LINES
33.204.AG	02	VAR - 743561, 338323 - 4WD, FRONT AXLE, W/HYDRAULIC DIFFERENTIAL LOCK AND BRAKE, BRAKE, LINES
33.204.AJ		VAR - 743561, 338323 - 4WD, FRONT AXLE, BRAKE VALVE
33.204.AP		VAR - 743561, 338323 - 4WD, FRONT AXLE, BRAKE VALVE, LINES
33.220.AC	01	VAR - 743516 - TRAILER BRAKE VALVE, LINES
33.220.AC	02	VAR - 743517 - TRAILER BRAKE VALVE, LINES

TABLE OF CONTENTS

33.220.AF	01	VAR - 743516 - TRAILER BRAKE VALVE, VALVE SECTIONS & QUICK COUPLERS
33.220.AF	02	VAR - 743517 - TRAILER BRAKE VALVE, VALVE SECTIONS & QUICK COUPLERS
33.220.AI		VAR - 743517 - TRAILER BRAKE VALVE, SOLENOID VALVE
33.220.AM	01	VAR - 743516, 743517 - TRAILER BRAKE VALVE
33.220.AM	02	VAR - 743516, 743517 - TRAILER BRAKE VALVE, COMPONENTS
35.000.00		SECTION INDEX, HYDRAULIC SYSTEM
35.100.AB	01	VAR - 332785, 743595, 743596 - HYDRAULIC LIFT, OIL PAN
35.100.BI	01	VAR - 390831 - HYDRAULIC LIFT, CYLINDER AND PISTON
35.100.BI	02	VAR - 332785 - HYDRAULIC LIFT, CYLINDER AND PISTON
35.100.BI	03	VAR - 743595, 743596 - HYDRAULIC LIFT, CYLINDER AND PISTON
35.100.BI	04	VAR - 743596 - HYDRAULIC LIFT, CYLINDER AND PISTON
35.100.BI	05	VAR - 743595 - HYDRAULIC LIFT, CYLINDER AND PISTON
35.104.AA	01	VAR - 743563 - HYDRAULIC PUMP
35.104.AA	02	VAR - 743524 - HYDRAULIC PUMP
35.104.AA	03	VAR - 743524 - HYDRAULIC PUMP, COMPONENTS (25CC/14CC)
35.104.AA	04	VAR - 743524 - REAR LIFT PUMP (25CC)
35.114.AA	01	VAR - 743595, 390831 - HYDRAULIC LIFT, VALVE
35.114.AA	02	VAR - 332785, 743596 - HYDRAULIC LIFT, VALVE
35.116.AD	03	VAR - 332785 - LIFT CYLINDER, PIPE
35.116.AD	04	VAR - 743596 - LIFT CYLINDER, PIPE
35.116.AD	05	VAR - 743596 - LIFT CYLINDER, PIPE
35.116.AD	06	VAR - 743595 - LIFT CYLINDER, PIPE
35.116.AH	01	VAR - 332785 - HYDRAULIC LIFT, LIFT CYLINDER
35.116.AH	02	VAR - 743596 - HYDRAULIC LIFT, LIFT CYLINDER
35.116.AH	03	VAR - 743596 - HYDRAULIC LIFT, LIFT CYLINDER
35.116.AH	06	VAR - 390831 - HYDRAULIC LIFT, LIFT CYLINDER
35.116.AH	07	VAR - 743595 - HYDRAULIC LIFT, LIFT CYLINDER
35.116.AH	08	VAR - 743595 - HYDRAULIC LIFT, LIFT CYLINDER
35.116.AH	09	VAR - 390832 - HYDRAULIC LIFT, LIFT CYLINDER (HI-LO)
35.160.AB	01	VAR - 331789 - 3 POINT HITCH, FRONT, HYD. LINE, W/O FRONT PTO
35.160.AB	02	VAR - 332789 - 3 POINT HITCH, FRONT, HYD. LINE, WITH FRONT PTO
35.160.AB	03	VAR - 331789, 332789 - 3 POINT HITCH, FRONT, HYD. LINE
35.160.AT	01	VAR - 331789 - 3 POINT HITCH, FRONT, HYDRAULIC VALVE, HYDRAULIC BALE TENSION, W/O FRONT PTO

TABLE OF CONTENTS

35.160.AT	02	VAR - 332789 - 3 POINT HITCH, FRONT, HYDRAULIC VALVE, WITH FRONT PTO
35.162.AB	01	VAR - 331789 - 3 POINT HITCH, FRONT, LINK, W/O FRONT PTO
35.162.AB	02	VAR - 332789 - 3 POINT HITCH, FRONT, CYLINDER, WITH FRONT PTO
35.162.AG	01	VAR - 331789 - 3 POINT HITCH, FRONT, CYLINDER, LINES, W/O FRONT PTO
35.162.AG	02	VAR - 332789 - 3 POINT HITCH, FRONT, CYLINDER, LINES, WITH FRONT PTO
35.204.AY	01	VAR - 332785, 390831, 743595, 743596 - PRESSURE RELIEF VALVE
35.204.BE	01	VAR - 743569 - REMOTE CONTROL VALVE, BLOCK, COMPONENTS (2 REMOTES) - ISO
35.204.BE	02	REMOTE CONTROL VALVE, DISTRIBUTOR, COMPONENTS
35.204.BE	03	REMOTE CONTROL VALVE, DISTRIBUTOR, COMPONENTS
35.204.BE	04	REMOTE CONTROL VALVE, DISTRIBUTOR, COMPONENTS
35.204.BE	05	VAR - 743569 - REMOTE CONTROL VALVE, BLOCK, COMPONENTS (2 REMOTES) - (HI-LO)
35.204.BE	07	VAR - 333195 - REMOTE CONTROL VALVE, BLOCK, COMPONENTS (2 REMOTES) - ISO
35.204.BE	08	VAR - 333195 - REMOTE CONTROL VALVE, BLOCK, COMPONENTS (3 REMOTES) - ISO
35.204.BE	09	VAR - 336108 - REMOTE CONTROL VALVE, BLOCK, COMPONENTS (3 REMOTES) - ISO
35.204.BE	10	VAR - 743571 - REMOTE CONTROL VALVE, BLOCK, COMPONENTS (3 REMOTES) - ISO
35.204.BE	11	VAR - 743571 - REMOTE CONTROL VALVE, BLOCK, COMPONENTS (3 REMOTES) - ISO
35.204.BE	12	VAR - 743570 - REMOTE CONTROL VALVE, BLOCK, COMPONENTS, (3 REMOTES) - ISO
35.204.BE	13	VAR - 743570 - REMOTE CONTROL VALVE, BLOCK, COMPONENTS, (3 REMOTES) - ISO
35.204.BE	15	VAR - 336108 - REMOTE CONTROL VALVE, BLOCK, COMPONENTS (3 REMOTES HI - LO)
35.204.BE	17	VAR - 743570 - REMOTE CONTROL VALVE, BLOCK, COMPONENTS (3 REMOTES HI - LO)
35.204.BE	18	VAR - 743570 - REMOTE CONTROL VALVE, BLOCK, COMPONENTS (3 REMOTES HI - LO)
35.204.BE	19	VAR - 333195 - REMOTE CONTROL VALVE, BLOCK, COMPONENTS (2 REMOTES HI - LO)
35.204.BE	20	VAR - 334195 - REMOTE CONTROL VALVE, BLOCK, COMPONENTS (3 REMOTES HI - LO)
35.204.BE	21	VAR - 334195 - REMOTE CONTROL VALVE, BLOCK, COMPONENTS (3 REMOTES HI - LO)
35.204.BE	24	VAR - 743568 - REMOTE CONTROL VALVE, BLOCK, COMPONENTS (1 REMOTE) - NA
35.204.BE	25	VAR - 743569 - REMOTE CONTROL VALVE, BLOCK, COMPONENTS (2 REMOTE) - NA
35.204.BJ	01	VAR - 743569 - REMOTE CONTROL VALVE, PIPE - ISO
35.204.BJ	02	VAR - 743569 - REMOTE CONTROL VALVE, PIPE (HI - LO)
35.204.BJ	03	VAR - 333195, 743569 - REMOTE CONTROL VALVE, PIPE
35.204.BJ	04	VAR - 334195 - REMOTE CONTROL VALVE, PIPE - ISO
35.204.BJ	05	VAR - 336108 - REMOTE CONTROL VALVE, PIPE - ISO
35.204.BJ	06	VAR - 743571 - REMOTE CONTROL VALVE, PIPE - ISO
35.204.BJ	07	VAR - 743570 - REMOTE CONTROL VALVE, PIPE - ISO
35.204.BJ	08	REMOTE CONTROL VALVE, PIPE (HI - LO)

**Thanks very much for your reading,
Want to get more information,
Please click here, Then get the complete
manual**

JustClickHere 

NOTE:

**If there is no response to click on the link above,
please download the PDF document first, and then
click on it.**

**Have any questions please write to me:
admin@servicemanualperfect.com**